

Cant. Descriere

1 **MAGNA1 32-100**

NEW MAGNA1



Not ! Poza de produs poate diferi de produsul actual

Nr. Produs: [99221236](#)

The new MAGNA1 is the simple option for a job well done. It is the perfect choice when replacing older circulators and due to its compliance with the EuP 2015 regulations, substantial savings on electricity is a reality. The ideal choice for basic performance needs in applications where basic system control and monitoring is desired.

- Monitoring via the fault relay, ensuring peace of mind
- Digital start/stop input available for remote pump control
- Continuous operation and reduced downtime with the wireless twin pump function (available on twin-head pumps)
- High energy efficiency resulting in substantial savings on electricity
- Easy setup and operation via the simple user interface
- No maintenance due to the canned-rotor type design.

MAGNA1 is the simple and efficient choice for most applications including

- Heating
 - Main pump
 - Mixing loops
 - Heating surfaces
- Cooling
 - Air conditioning surfaces
 - Ground source heat pump systems
 - Smaller chiller applications

Lichid:

Lichide pompate: Ap
 Gama temperaturii lichidului: -10 .. 110 °C
 Temperatura lichidului în timpul func ion rii: 60 °C
 Densitate: 983.2 kg/m³

Tehnic:

Clasa TF: 110
 Aprob ri pe etichet : CE,VDE,EAC,CN ROHS,WEEE

Materiale:

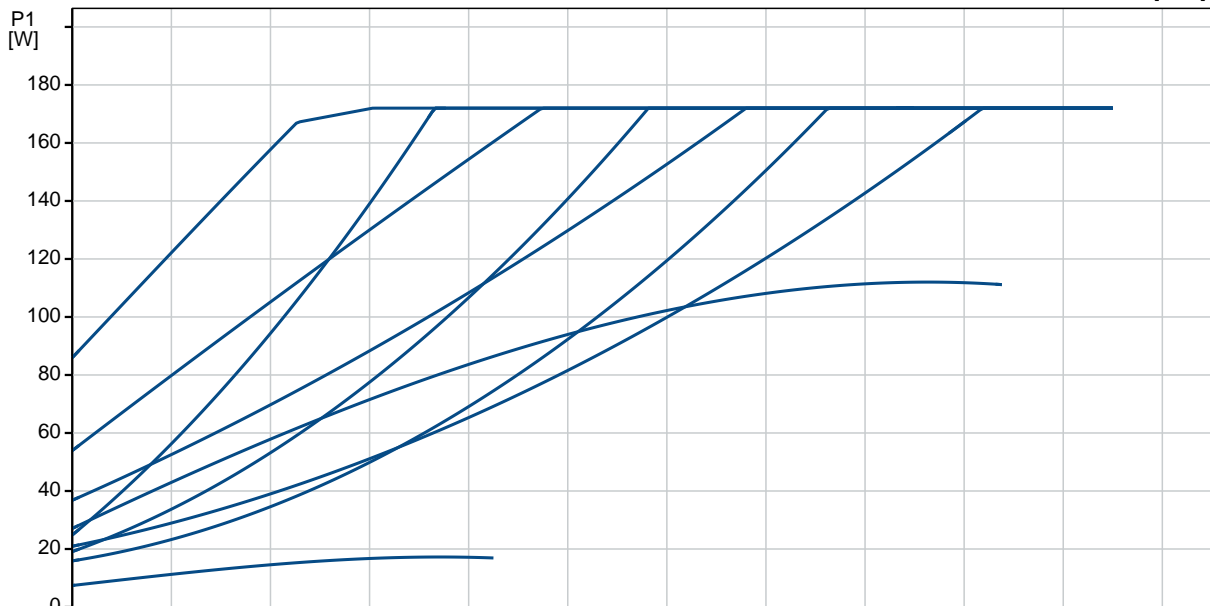
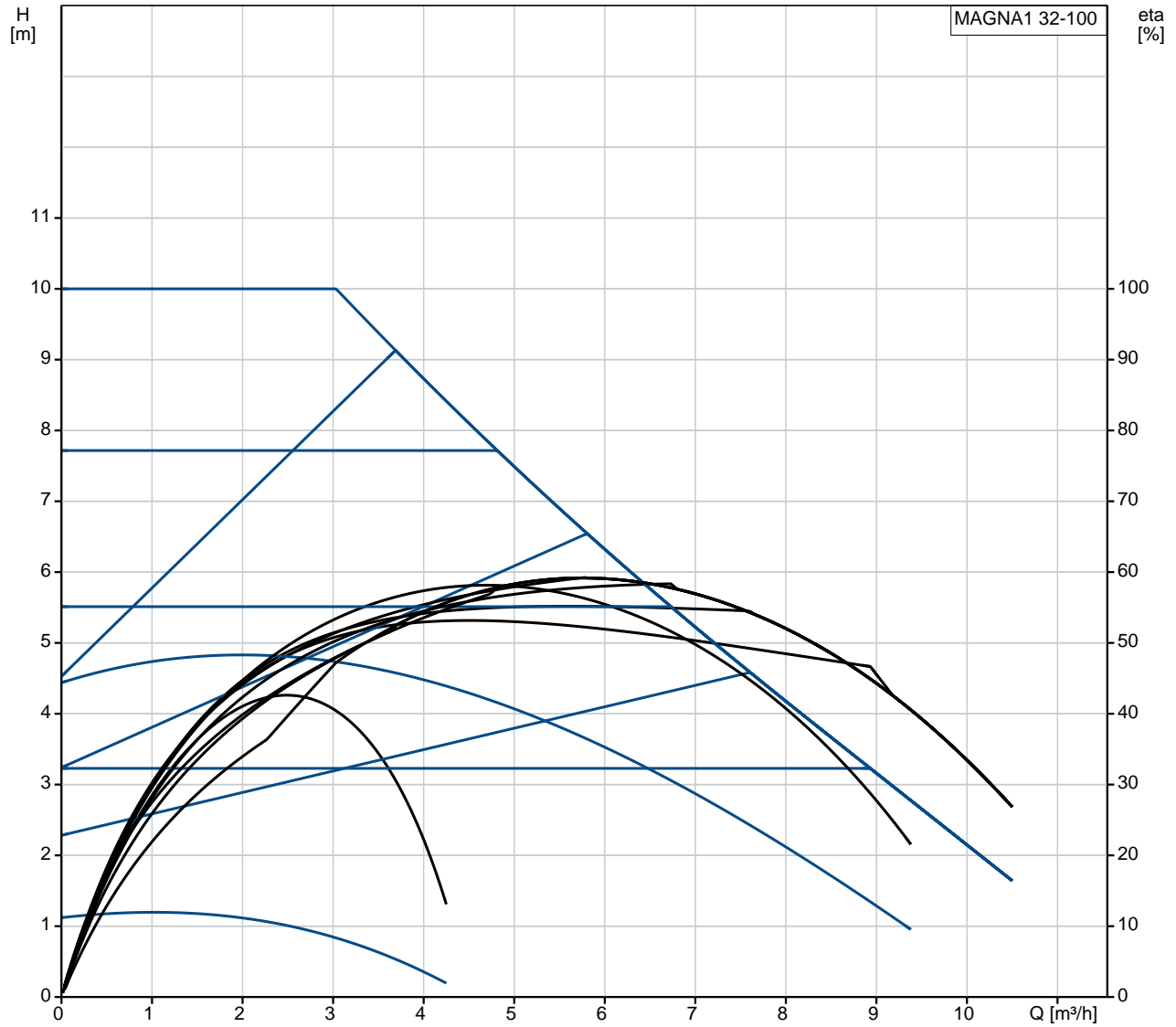
Corpul pompei (stator): Font
 EN-GJL-200
 ASTM A48-200B
 Rotor: PES 30%GF

Instala ie:

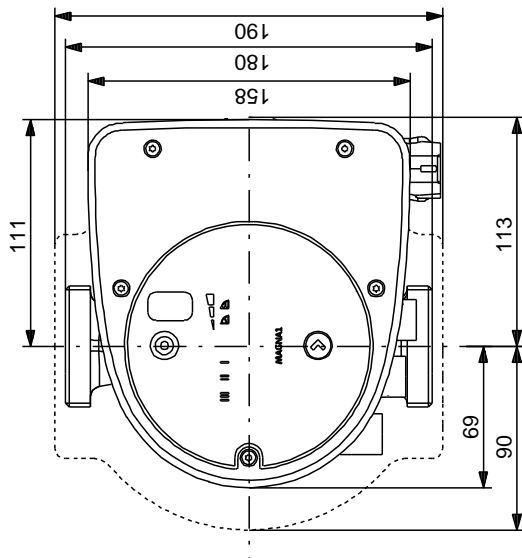
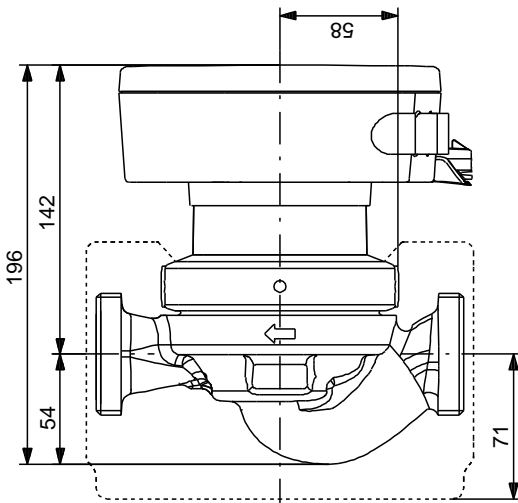
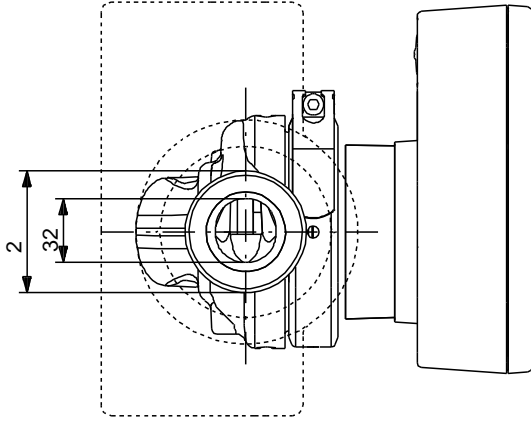
Gama temperaturii ambientale: 0 .. 40 °C
 Presiune de func ionare maxim : 10 bar
 Racordarea pompei la instala ie: G 2"
 Presiune maxim de func ionare: PN10
 Distan a dintre porturi: 180 mm

Cant.	Descriere
	<p>Date electrice:</p> <p>Putere de introdus - P1: 8 .. 175 W Frecven a re elei electrice: 50 Hz Tensiune nominal : 1 x 230 V Curent consumat maxim: 0.08 .. 1.41 A Grad de protec ie (IEC 34-5): X4D Clas de izolare (IEC 85): F</p> <p>Altele:</p> <p>Energy (EEI): 0.20 Greutate net : 4.5 kg Greutate brut : 5.5 kg Shipping volume: 0.013 m³ Finnish LVI No.: 4615307</p>

99221236 MAGNA1 32-100 50 Hz

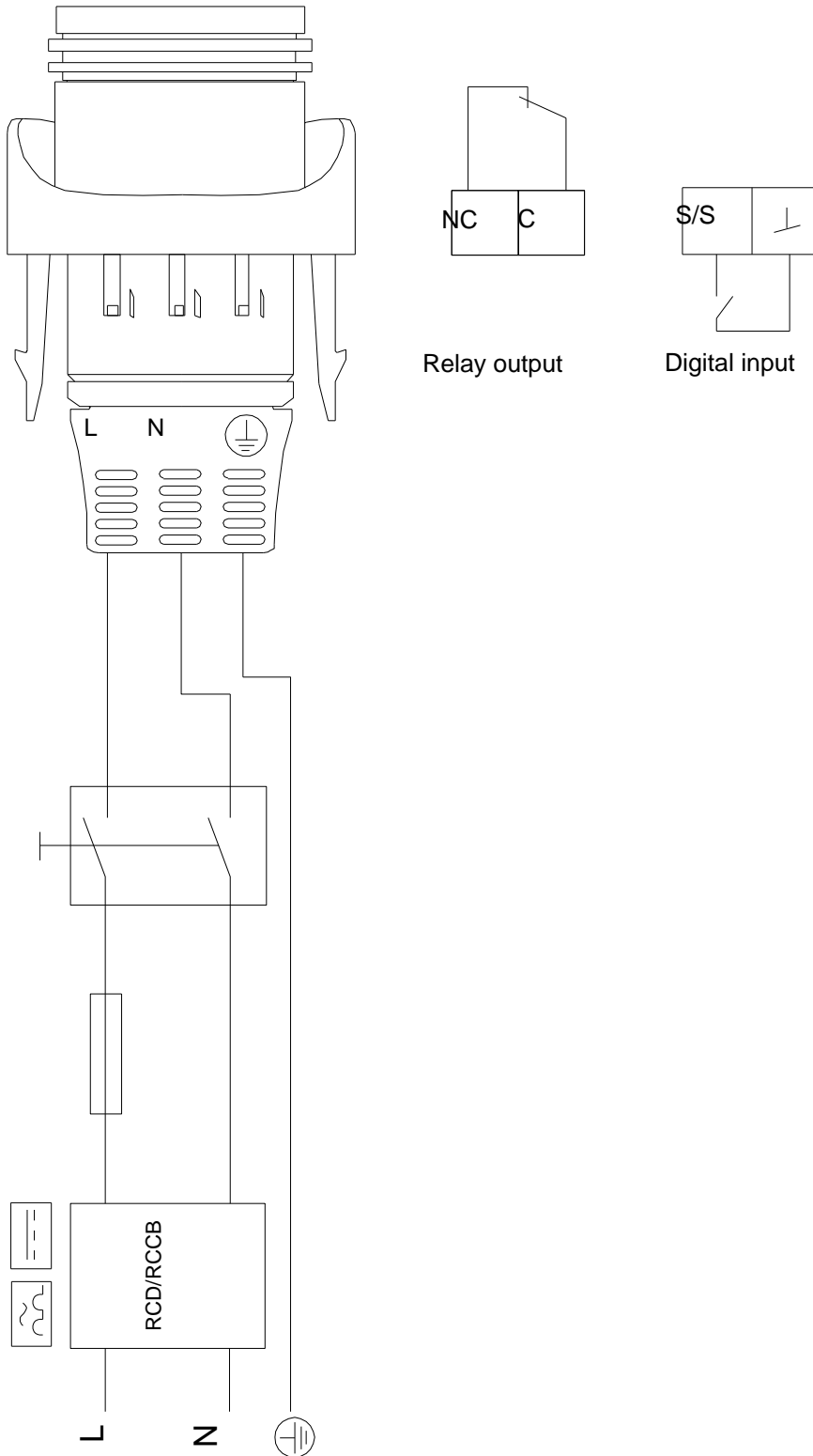


99221236 MAGNA1 32-100 50 Hz



Not : Toate unit ile sunt in [mm] daca nu sunt altele specificate.
Negare: Acest desen dimensional simplificat nu prezint toate detaliile.

99221236 MAGNA1 32-100 50 Hz



Not ! Toate unit ile sunt în [mm] dac nu sunt altele specificate.